

"THE IDEA THAT ALL POOLS ARE CREATED EQUAL
JUST DOESN'T HOLD WATER."



PERIMETER RECIRCULATION SYSTEMS

Engineered supply and return systems for
swimming pools, water features and aquatic
facilities.

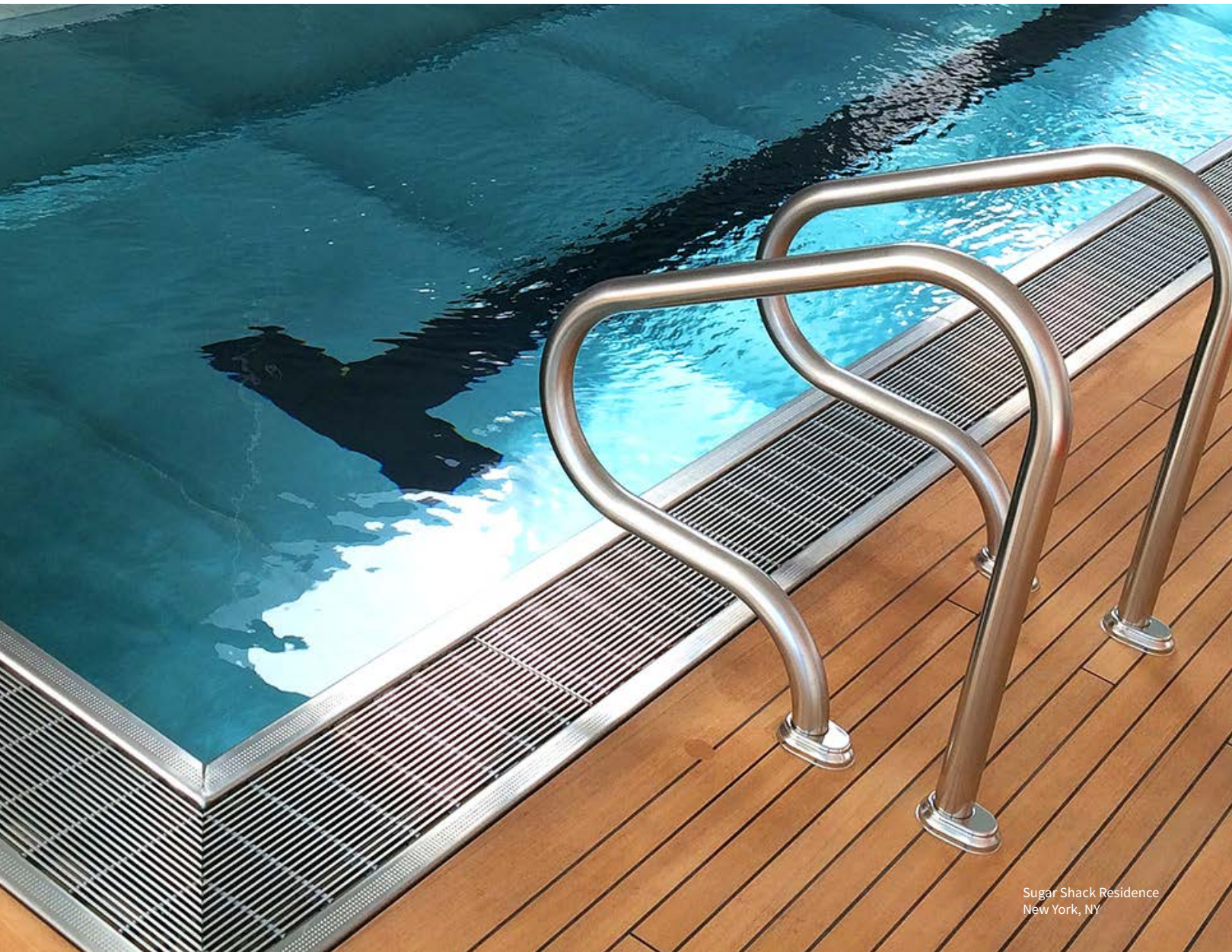
Natare Pools

5905 West 74th Street | Indianapolis, IN 46278 | USA
(800) 336-8828 | (317) 290-8828
natare.com • natare@natare.com

**NATARE
FACT:** Our average office employee
has been with Natare for
over 8 years.



CONTACT US TODAY TO SEE
HOW WE CAN BUILD YOUR
PROJECT ON BUDGET



STAINLESS STEEL PERIMETER RECIRCULATION SYSTEMS

Natare's stainless steel perimeter recirculation systems offer the functionality of a water supply and return system in a single gutter profile.

Natare gutter systems have an in-pool surge storage system, eliminating the need for additional surge storage tanks. They also don't require additional piping or plumbing, making them the ideal solution for fast and efficient construction or renovation.

Stainless steel prevents the tiling, coping, and frequent maintenance inherent in traditional gutter systems. With our gutter systems, repair costs from leaky pipes, ground movement and settling are a thing of the past, virtually eliminating all repair costs.

A Guaranteed Cleaner Pool

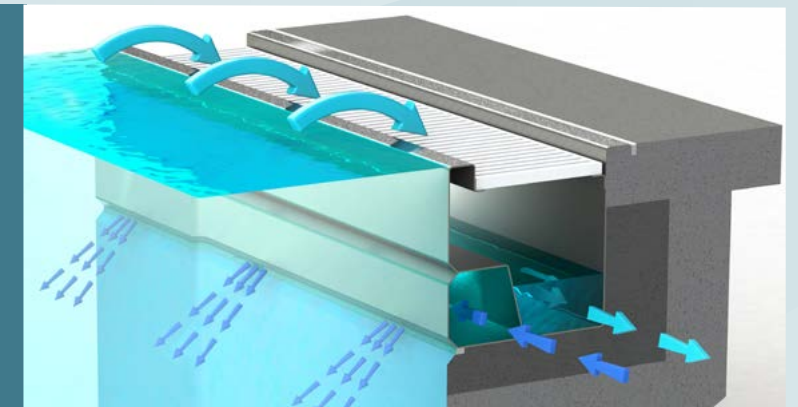
The water's surface is where over 80 percent of a pool's dirt, oils and suspended material collect.

with traditional skimmers or conventional swimming pool gutters.

Natare's stainless steel perimeter systems allow optimal surface skimming which cannot be achieved

Efficient, continuous surface skimming removes surface debris and keeps pool water clean.

With a built-in trough, pressurized filtered water return and inlets, no additional piping or plumbing is required for water circulation. This allows continuous surface skimming.



BENEFITS:

- **Efficient Water Movement:** Water moves efficiently throughout the gutter system providing balanced water distribution.
- **Stainless Steel Construction:** Natare uses a special 12-gauge type 304L or 316L low carbon stainless steel to resist corrosion and wear.
- **Permanently Watertight:** All seams are TIG (Tungsten Inert Gas) welded and hydrostatically tested.
- **25-Year Structural & Performance Warranty:** Natare's warranty ensures your system will perform properly for years to come.



CONTACT US AT NATARE@NATARE.COM OR VISIT OUR
WEBSITE AT NATARE.COM

GUTTER OPTIONS



Visit us online at:
www.natare.com

Perfect for New Construction,
Even Better for Renovation!

Natare Perimeter Overflow Systems

Perimeter recirculating systems offer a wide range of styles and configurations in a grating covered channel design. Capacities up to 1300 gpm are possible for standard configurations. Options and accessories are available to satisfy any design requirement.

With a built-in trough, pressurized filtered water return and inlets, no additional piping or plumbing is required for water circulation. This allows continuous surface skimming which cannot be achieved with traditional skimmers or conventional swimming pool gutters.



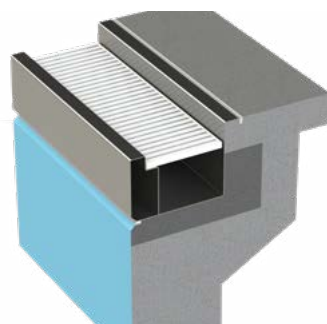
In addition to the configurations listed below, our perimeter gutter systems are customizable to meet your pool's requirements. Special features include:

- Rope hooks
- Weirs
- Integral grout tab
- Integral deck drain
- Air removal conduit
- Jet wash fittings
- Recessed steps in gutter face
- Jig-mounted recessed steps
- Membrane skirt
- Depth markers
- Logos
- Black vinyl target markings
- Handholds
- Converted boxes
- Collector boxes
- Raised grating for step areas

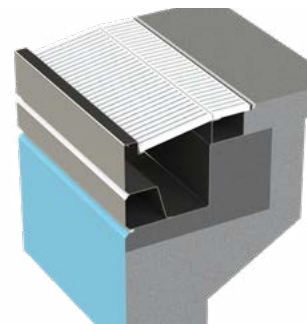
STYLES

Natare gutters are available in deck level (roll-out), with stainless steel or polymer handholds and optional integrated deck drains.

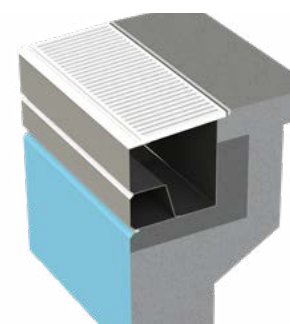
1 DECK LEVEL WITH S/S HAND HOLD



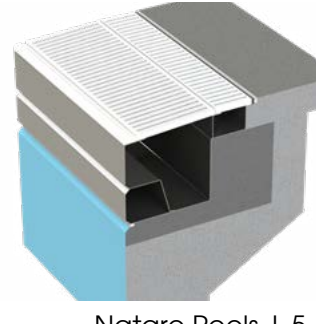
2 DECK LEVEL WITH S/S HAND HOLD AND INTEGRAL DECK DRAIN



3 DECK LEVEL WITH POLYMER HAND HOLD



4 DECK LEVEL WITH POLYMER HAND HOLD AND INTEGRAL DECK DRAIN





Skimming Weir: provide precise level control, and maintain proper surface skimming and gutter flow.

NATARE FACT: We manufactured our first stainless steel gutter system in 1974.

GPM GRATING

Our GPM grating comes standard on all our perimeter gutter systems. GPM grating is custom fabricated from a marine-grade polymer and is environmentally stabilized to withstand the harshest aquatic conditions.

It will not rot, discolor, or delaminate and does not react with pool chemicals. Even repeated blows from a heavy hammer will not break GPM grating. It comes with a 10-year full replacement warranty.

GPM grating's unique design has permanently machined flow control slots that allow for a fast flow of water through the grating. GPM grating has a matte-textured slip-resistant finish to provide secure footing and hide any scuffs or scratches. This low maintenance finish cleans easily and eliminates repair or refinishing due to weathering or deteriorating.



PERIMETER SKIMMING WEIRS

Natare perimeter recirculating systems provide the precise level control that is so important for competitive swimming.

Weirs maintain proper surface skimming and gutter flow in active recreational pools.



COMPONENTS & EQUIPMENT:

- **Stainless Steel Skimmer Trough:** The skimmer trough is constructed out of heavy gauge stainless steel with a finish similar or equal to a #3 polished finish.
- **Stainless Steel Collector:** The skimmer collector stub shall be provided with a stainless steel extension ready for connection to the piping system.
- **Flow Proportioning Surface Skimmers:** The weirs shall be equipped with an internal, fully automatic surge control device that operates hydrostatically, providing ample in-pool surge as the bather load increases.
- **Operating Range:** From 3/4 inch above to 1-5/8 inch below the lip of the skimmer.



NATA TREAD SLIP-RESISTANT

Our slip-resistant surface is created using specialized tooling that does not penetrate the surface, but instead produces a pattern of small dimple-like projections or protrusions, similar to the surface on Braille name plates. The pattern is an extremely uniform and aesthetically pleasing surface.

Manufactured to be smooth and perfectly level around the pool perimeter, our proven state-of-the-art designs combine gutter and plumbing functions necessary for a clean and well-circulated pool.



Natare Pools

5905 West 74th Street | Indianapolis, IN 46278 | USA

(800) 336-8828 | (317) 290-8828

www.natare.com • natare@natare.com

Natare, the stylized N, NataClad, MicroFlo and Natatec are trademarks of the Natare Corporation.

© Copyright 1997-2024 Natare Corporation. All rights reserved.