



# Natare<sup>®</sup> Stainless Steel Pools and Pool Systems

Information and Technical Data



Custom-designed and tailored to individual project requirements, Natare pools can be constructed in virtually any pool configuration including rectangular, rectilinear, and radius sections.

## **Natare Corporation**

Swimming Pools, Aquatic Facilities and Water Features



Natare Corporation is one of the most respected suppliers of equipment, systems and services for commercial and public swimming pools, water features and aquatic recreation in the United States and around the world.

Natare offers a comprehensive selection of pools, equipment and construction systems, in combination with consulting, engineering and technical services. Whether it's design, construction, renovation or operation, Natare is part of state-of-the-art aquatic facilities around the globe. Natare pools mean an aquatic project that is on time, on budget and done right the first time.

The following information is a collection of topics pertaining to Natare® Swimming Pool Systems. These documents include product support information as well as typical specifications and drawings.

## Table of Contents

|       |                                                                      |         |
|-------|----------------------------------------------------------------------|---------|
| I.    | Natare Pool System Design, Construction, Features and Benefits ..... | 3 - 6   |
| II.   | Typicals Details and Design Information .....                        | 7       |
| III.  | AWS Typical Details .....                                            | 8 - 9   |
| IV.   | Unitized Pool Typical Details .....                                  | 10 - 11 |
| V.    | NataClad Typical Details .....                                       | 12 - 13 |
| VI.   | SPS Typical Details .....                                            | 14 - 15 |
| VII.  | GPM Grating .....                                                    | 16      |
| VIII. | Optional Accessory Typical Details .....                             | 17 - 18 |
| IX.   | Typical Details & Design Information .....                           | 19 - 21 |
| X.    | Warranty and Warranty Details .....                                  | 22 - 23 |

*The information in this document is proprietary and is the exclusive property of Natare Corporation. These materials are not considered published and are provided for the exclusive use of the intended recipient for the intended use in conjunction with equipment, systems or services provided by Natare, and they may be copied or distributed to third parties for that purpose. Any recommendations for the use of this product or information furnished are believed to be accurate, but no warranty or guarantee is intended other than Natare's standard warranties are disclosed herein. All warranties including implied warranty of merchantability or fitness for any particular purpose are disclaimed. ©Natare Corporation 1979-2017. All rights reserved.*



## Natare Complete Pool Systems

Low-maintenance, high-efficiency pools and mechanical systems

**Natare pool systems are pre-engineered, custom built pools that utilize components that are quick and easy to assemble. Custom-designed and tailored to individual project requirements, Natare pools can be constructed in virtually any pool configuration including rectangular, rectilinear, and radial sections.**

The Natare pool construction system consists of a stainless structural wall system fabricated from tough, durable stainless steel and are used in combination with all types of pool floor construction, including cast-in-place concrete, gunite or shotcrete, stainless steel or compacted granular fill.

Natare pools are efficient and economical to construct and typically provide substantial savings when compared to older construction methods. They feature Natatec™ perimeter recirculating gutter systems or perimeter overflow gutters which provide for excellent water recirculation with no buried pool piping. The gutter is provided in a variety of shapes and sizes for even the largest pool. Ceramic tile edges or water line tile is also an option.

A Natare pool consists of a pool surround (top of the pool wall) in combination with a stainless steel wall panel system, all of which are supported by a computer-designed structural support system called a “buttress”. Exposed concrete, plaster or ceramic tile pool floor systems may also be used with Natare® pools.

This combination of Natare products presents the most cost-effective and functional way to construct any fast, durable public, institutional, or municipal pool.





## Design, Construction, Features & Benefits

Natare Pool Systems are pre-engineered solutions for virtually any swimming pool, aquatic or recreational water system construction. Sturdy, cost effective and easily erected in almost any climate, Natare Pool Systems deliver outstanding durability and functionality. A proven system, Natare pool construction incorporates stainless steel pool wall construction in combination with a wide choice of pool edge (pool surround) options. Natare pool systems can be used with cast-in-place concrete, gunite (shotcrete), stainless steel or compacted cohesive granular fill floor systems. Natatec® PVC membrane lining systems are often used with Natare pools to provide a colorful interior finish or as the waterproofing system used in conjunction with various types of pool bottom or floor systems. An epoxy-coated, or stainless steel structural steel buttress system provides stable support for the pool wall system.



**Natare pools are available in two different styles to satisfy any aquatic construction needs. Any Natare pool can be tailored to the varying site conditions, program requirements and budget considerations.**

**Natare AWS all-welded pool systems** are customized, all-welded unitized pool construction systems, pre-engineered to the exact requirements of each project. A Natare pool is furnished in corrosion resistant, easily maintained stainless steel. Natare pools are the ideal choice for in-ground, on-ground or elevated aquatic construction and feature sectional construction tailored to the exact configuration of each project. Pool components are pre-fabricated to the required sizes and assembled on site using TIG welding techniques to form a one-piece, rugged, watertight system.

**Natare SPS pool systems** are standardized structural panel pool construction systems, featuring a wide range of shapes, sizes and configurations. Natare SPS pools offer fast, unitized bolted pool construction, pre-engineered to the exact requirements of each project with excellent durability and value. Natare SPS systems can be built for permanent or temporary use and combined with a Natatec® pool lining systems, traditional concrete, tile or plaster pool bottom finishes. Available in standard stainless steel, polished stainless steel finish, or NataClad® PVC laminated stainless steel; Natare SPS Pools are cost-effective pool construction systems that are ideal for institutional, recreational, and architectural grade residential construction.

### A few of the important features of a Natare Pool Systems:

- Perfectly tailored for competitive swimming, training or lap swimming. Certified to all current USA Swimming, FINA, NCAA, YMCA and NAHSA standards.
- Ideal for recreational swimming, hydrotherapy, rehabilitation therapy.
- Compatible with and complimentary to all major water filtration and treatment systems.
- Heavy-gauge stainless steel construction, pre-engineered to eliminate site-construction variations or design changes.
- Bolt together or welded construction. Wall systems are available as polished stainless steel (bolted or welded construction) or as NataClad® PVC laminate –coated (bolted construction).
- Available with stainless steel re-circulating gutter systems, overflow gutters or with machined openings for traditional buried piping with or without skimmers.
- Suitable for use with Natatec PVC Lining System or concrete pool bottom.
- Available with optional deck support systems.
- Available with integral spa or hydrotherapy areas.
- Compatible with slab-on-grade or conventional footing systems.
- Suitable for use with gunite construction or traditional cast in place concrete.
- Capable of use as a temporary pool structure.
- Ideal for renovation or new construction.
- Fast, efficient construction, suitable for all climates and weather extremes.
- Structurally certified to be stable even when empty.
- Natare Pool Systems comply with most state, municipal and local construction codes.



## Design, Construction, Features & Benefits

**Natare Pool Systems quickly and easily construct to the most popular sizes of rectangular, rectilinear and radius pool shapes. Typical lap or competition pools include the standard 25 yard, 25 meter and 50 meter pools in configurations suitable for any level of competition or training. Radius sections or shapes are available, and Natare pools can be configured to provide an unlimited array of pools.**

Each Natare Pool is provided with complete and detailed drawings, and Natare pools are certified to be structurally sound and self-supporting, whether full or empty.

When used as a public pool or natatorium construction, Natare pool systems typically incorporate Natatec® perimeter re-circulating gutter systems or perimeter overflow gutters, the most cost effective and functional way to construct any public, institutional, municipal or high-quality residential pool. Excellent water distribution, fast water for competitive pools, wave-quelling gutter grating and no buried pool piping, combined with a Natatec pool lining system for the pool bottom, makes a Natare pool as close to maintenance-free as you can get.

### Pool Surrounds (the top of the pool wall)

- **Ceramic** incorporates a pool surround with a clean European look with a competition-proven ceramic tile nosing that provides the waterline pool edge and handhold.
- **Deck Form Edges** are available for concrete deck systems with Natare Stainless Steel construction. Standard deck form edge receptors can be straight or curved, while deck form edges with integral handholds are available as straight or pre-mitered sections. Radius or mitered corner sections are also available.
- **Parapet** (raised end) wall sections are available to provide the 300 mm flat vertical surface required for FINA Standard pools and often chosen for USA Swimming and NCAA competition venues.
- **Deck level, semi-recessed or fully recessed perimeter overflow gutters** are available in a variety of sizes and shapes to meet any competition or recreational requirement. Natare gutter systems provide excellent water recovery for fast competition pools and great recreational environments.
- **Deck Form Edges, Handholds, and Coping Receptors** are available in 3 in. (75 mm), 4 in. (100 mm), 6 in. (150 mm) tall heights in lengths to match pool panels. 6 in receptors are available with tile recess.
- **Deck Edge Handholds for concrete or deck systems** will incorporate an integral handhold (rectilinear only). Each deck edge is designed to bolt to the top of a wall panel.

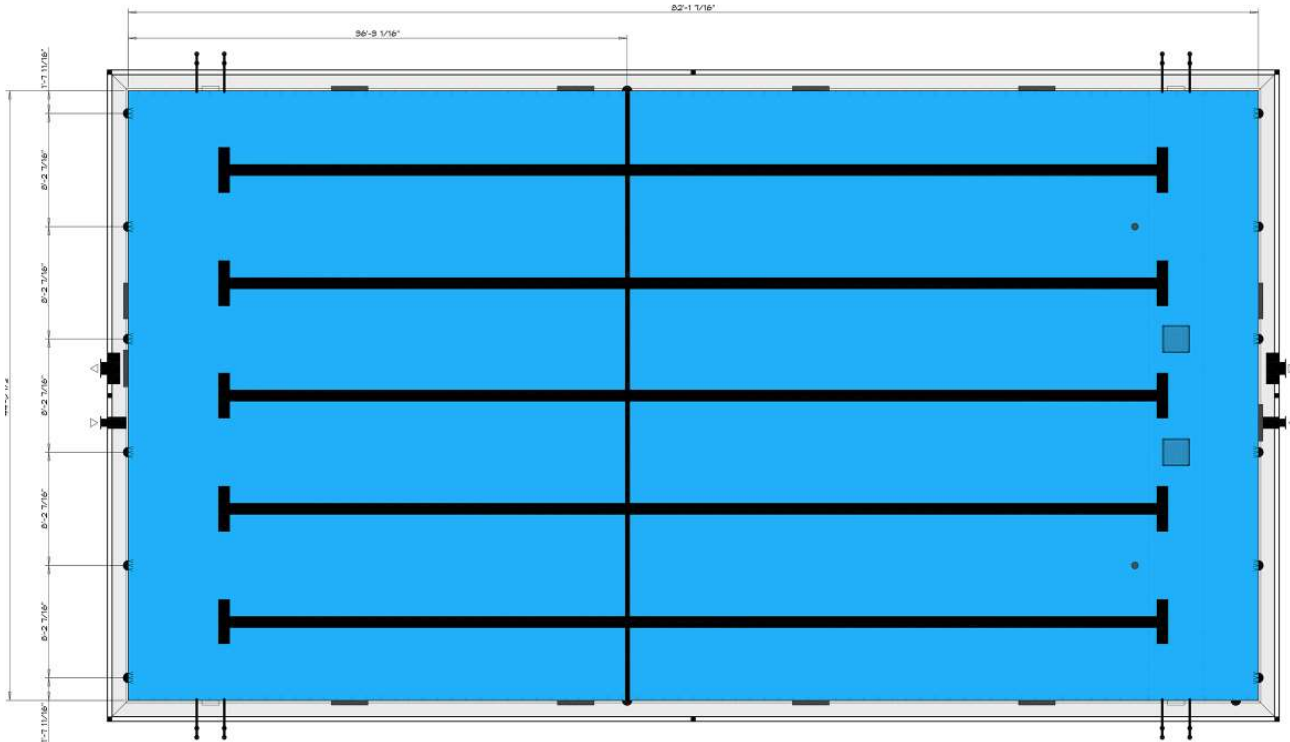




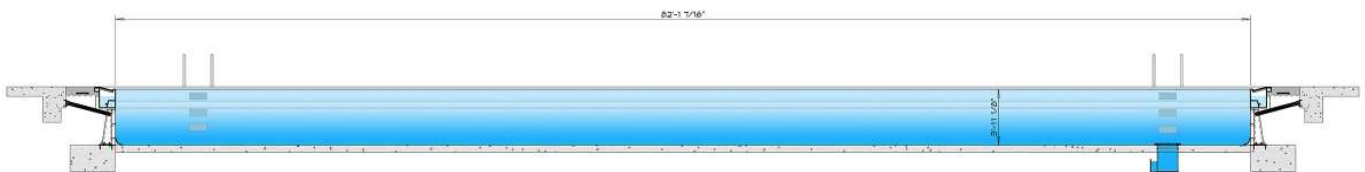


## Typical Details and Design Information

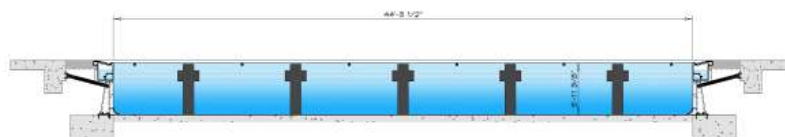
Natare Pools are pre-engineered for a wide selection of standard sizes and shapes. Whether for FINA, USS, BSA, CAS or other competitions.



**A**  
1.0  
POOL PLAN VIEW  
Scale: N.T.S.



**B**  
1.0  
CROSS SECTION VIEW  
Scale: N.T.S.



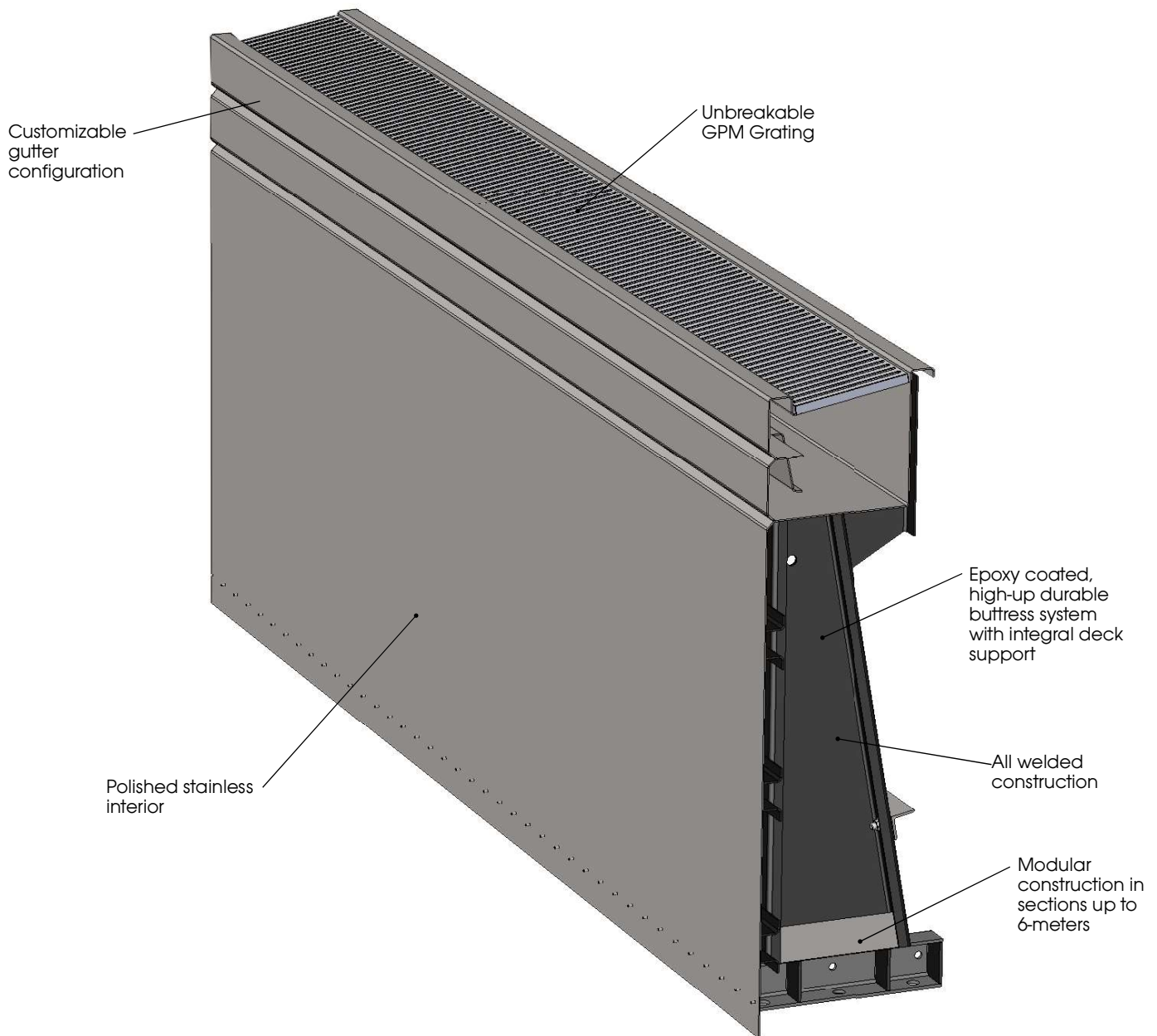
**C**  
1.0  
CROSS SECTION VIEW  
Scale: N.T.S.



## Typical AWS Details and Design Information

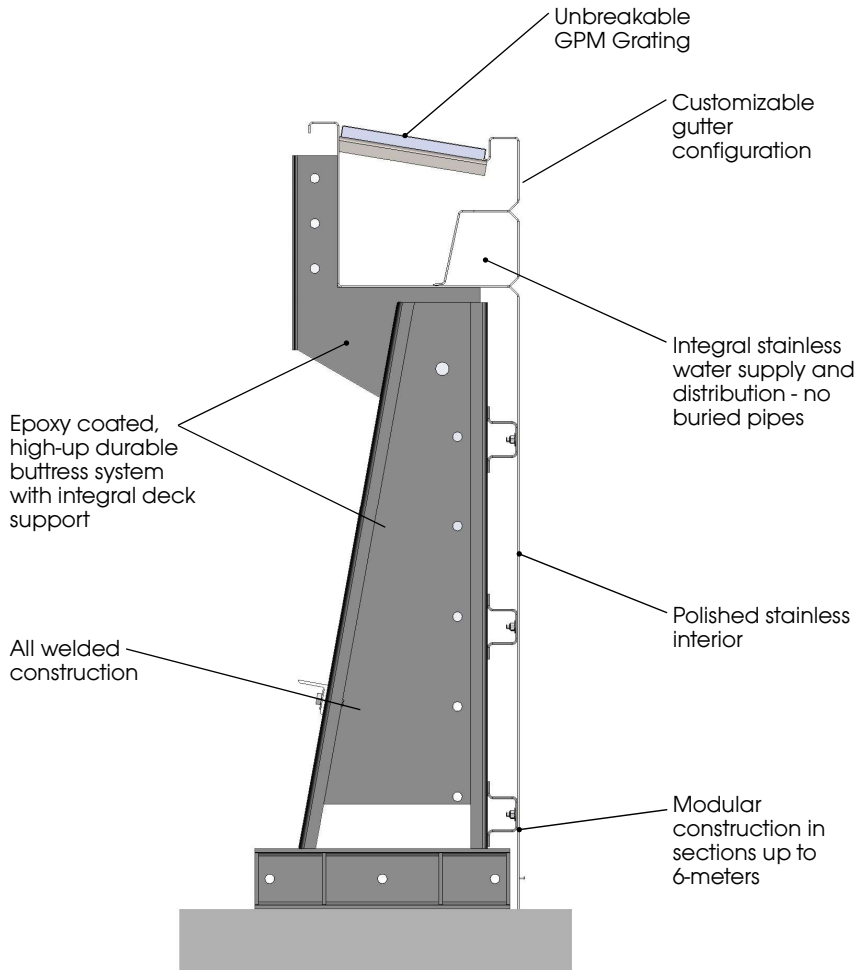
Natare AWS all-welded pool systems are customized, all-welded unitized pool construction systems, pre-engineered to the exact requirements of each project.

A Natare pool is furnished in corrosion resistant, easily maintained stainless steel with a #3 polished finish. Mirror finish and ceramic tile are also available for special applications.

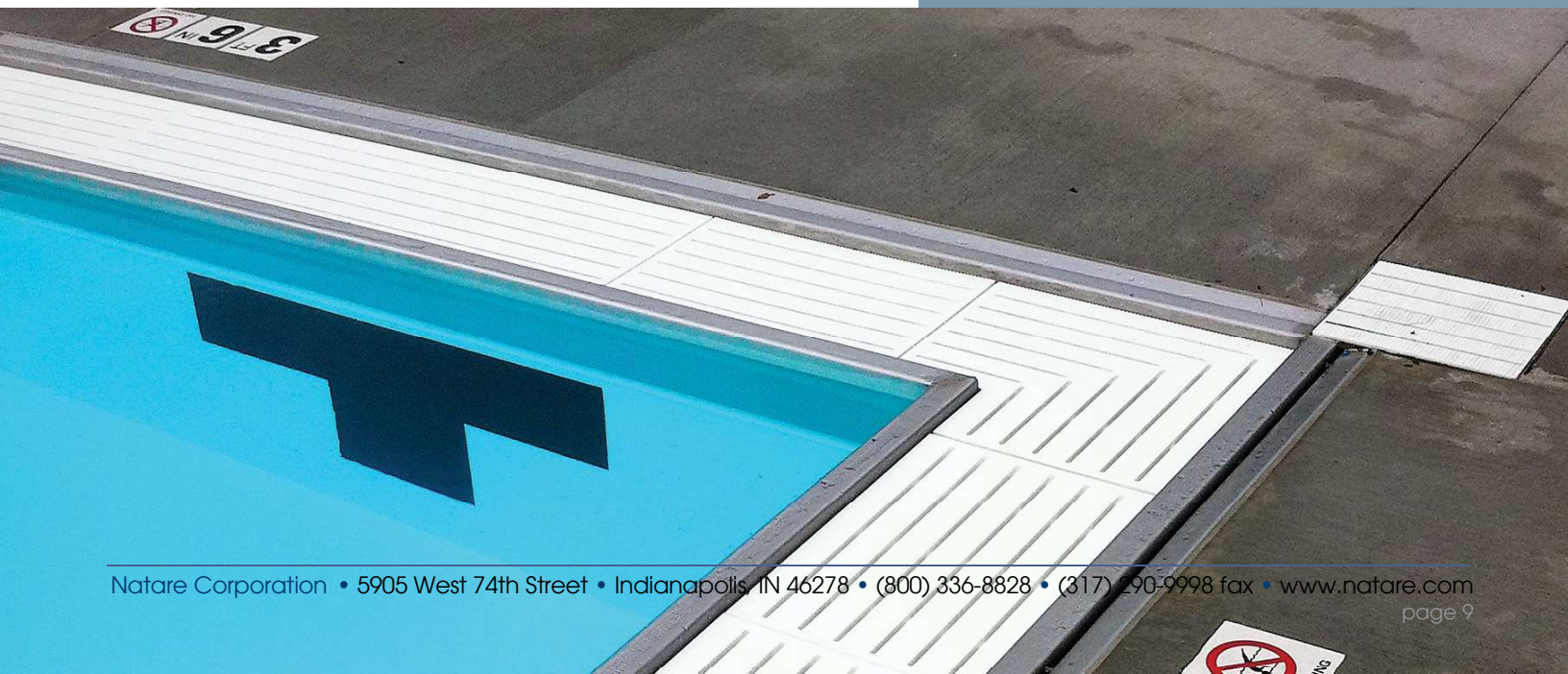


**Typical AWS Wall and Gutter Detail**





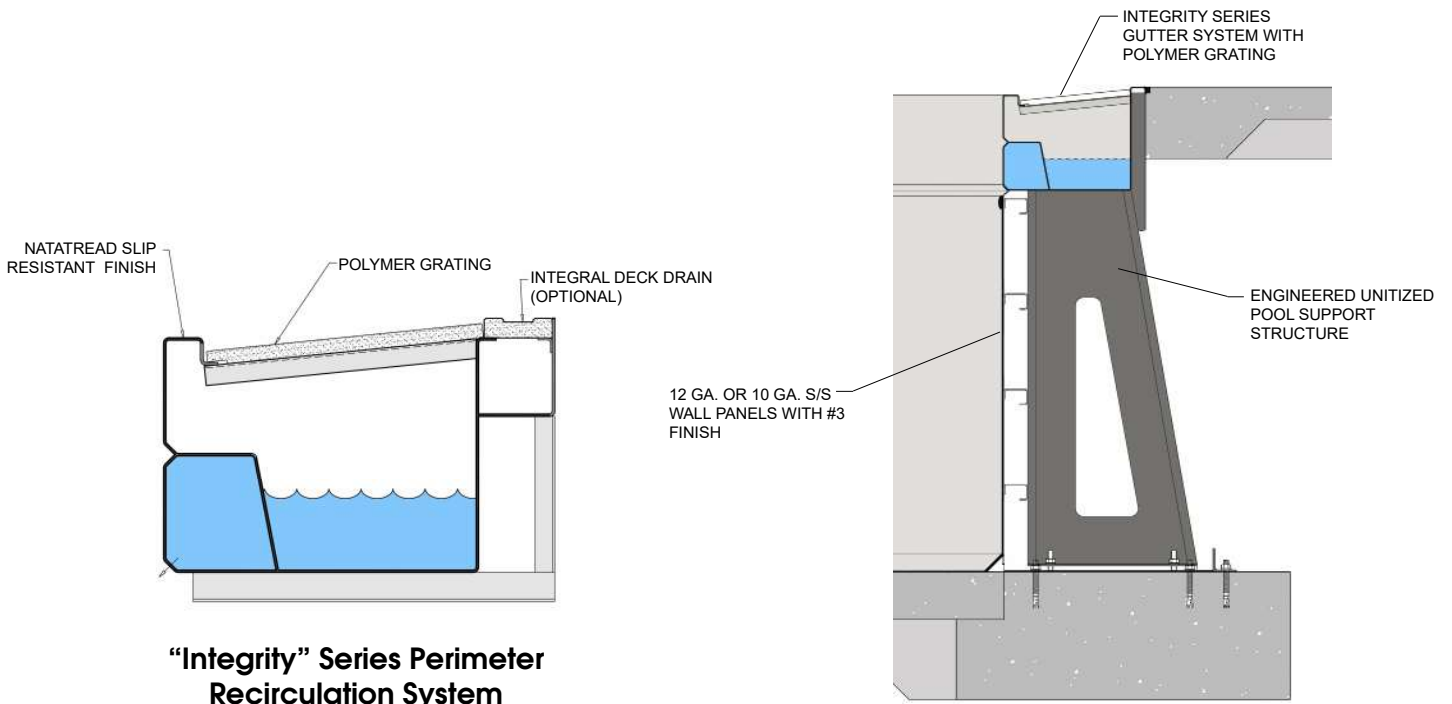
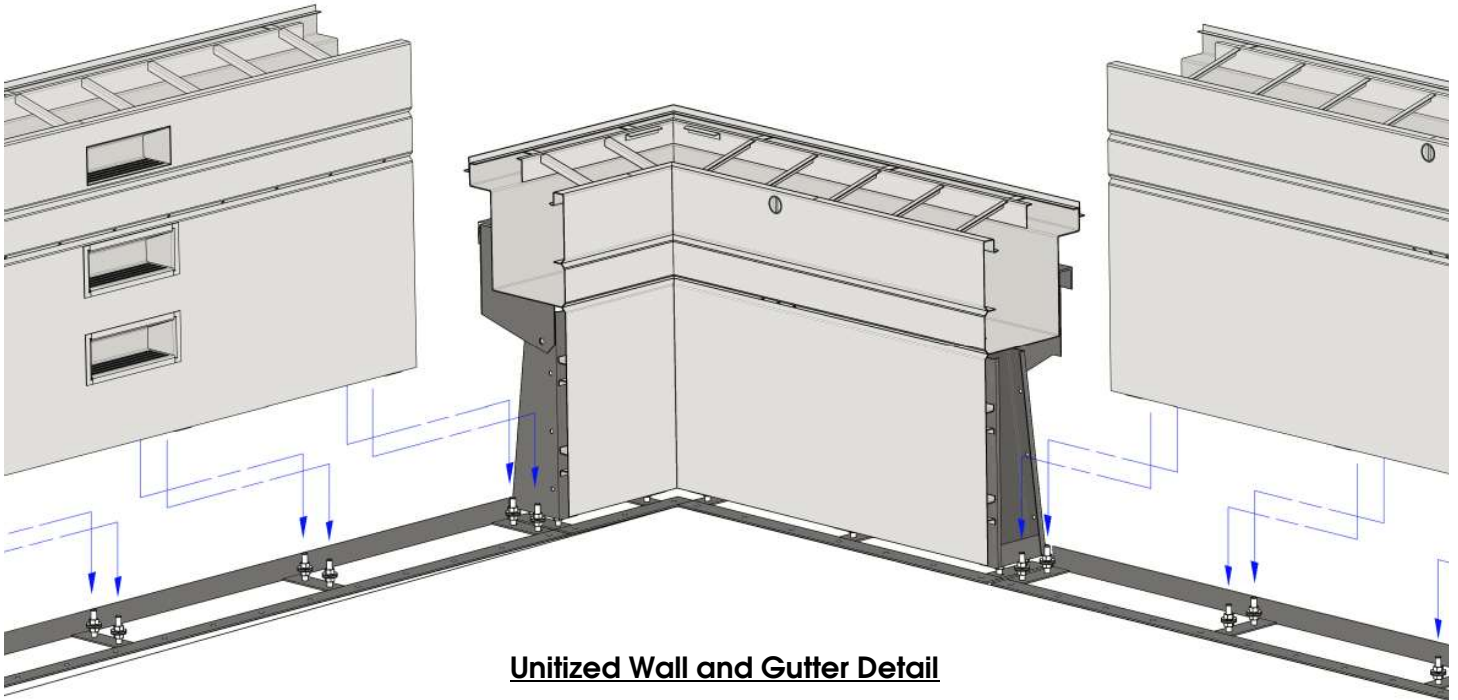
**Typical AWS Side View**





## Typical Unitized Natare Pool System

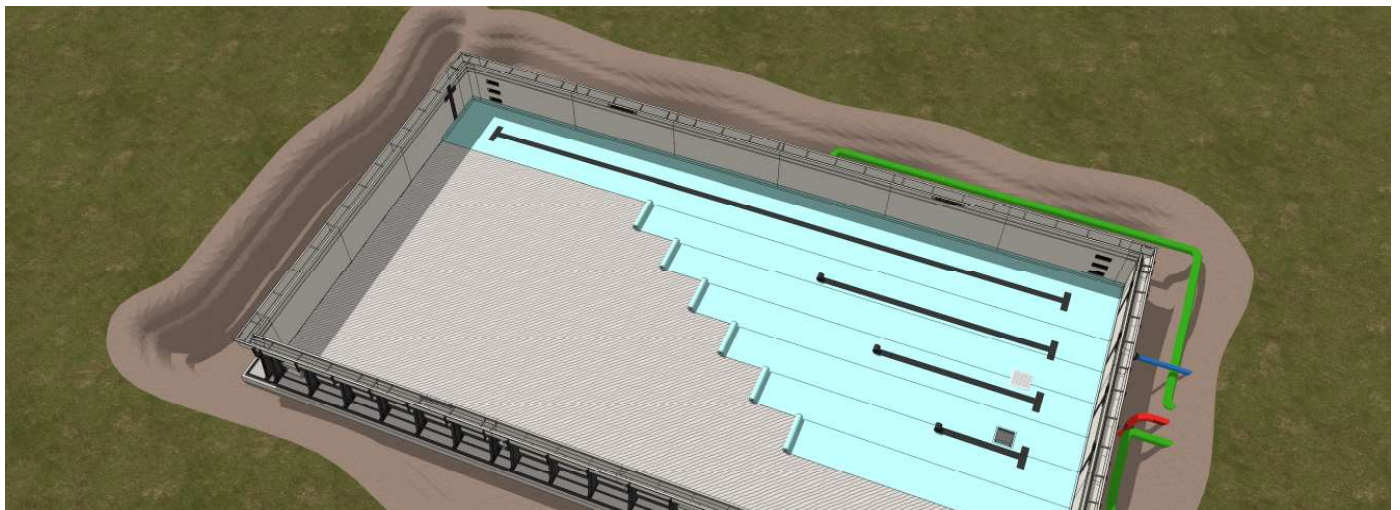
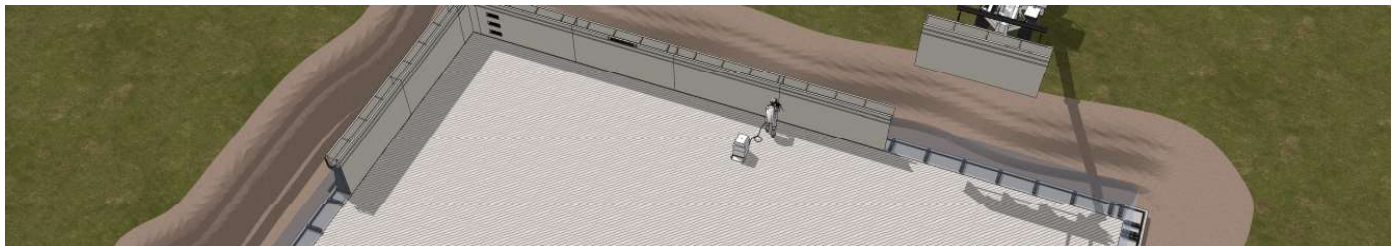
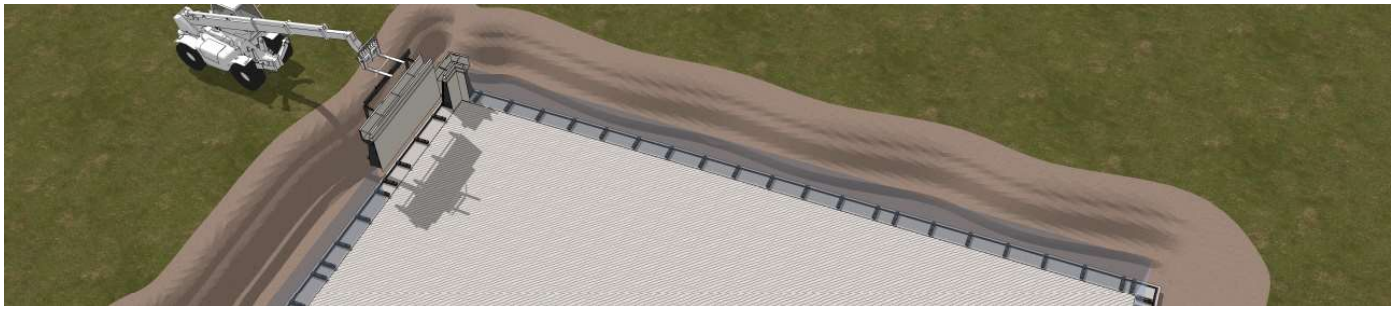
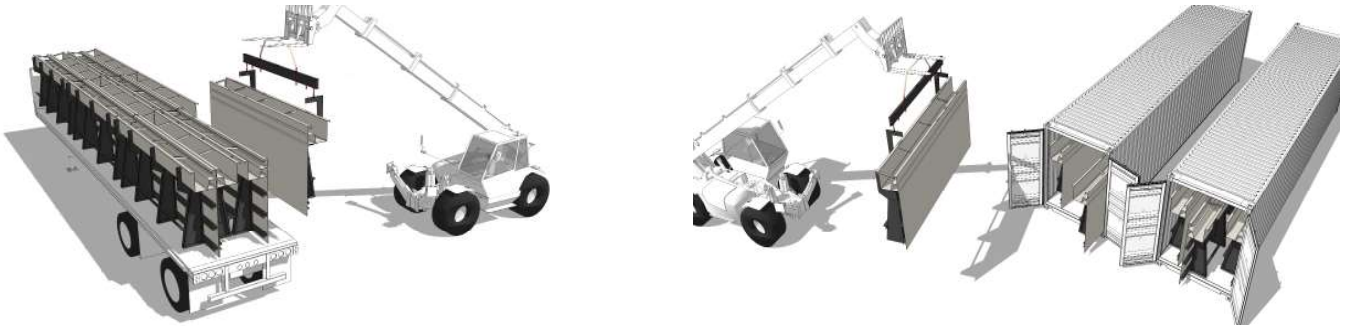
Our unitized pool systems greatly reduce installation costs by creating the pool in sections that are easily assembled in the field.







## Typical Unitized Natare Pool System Installation





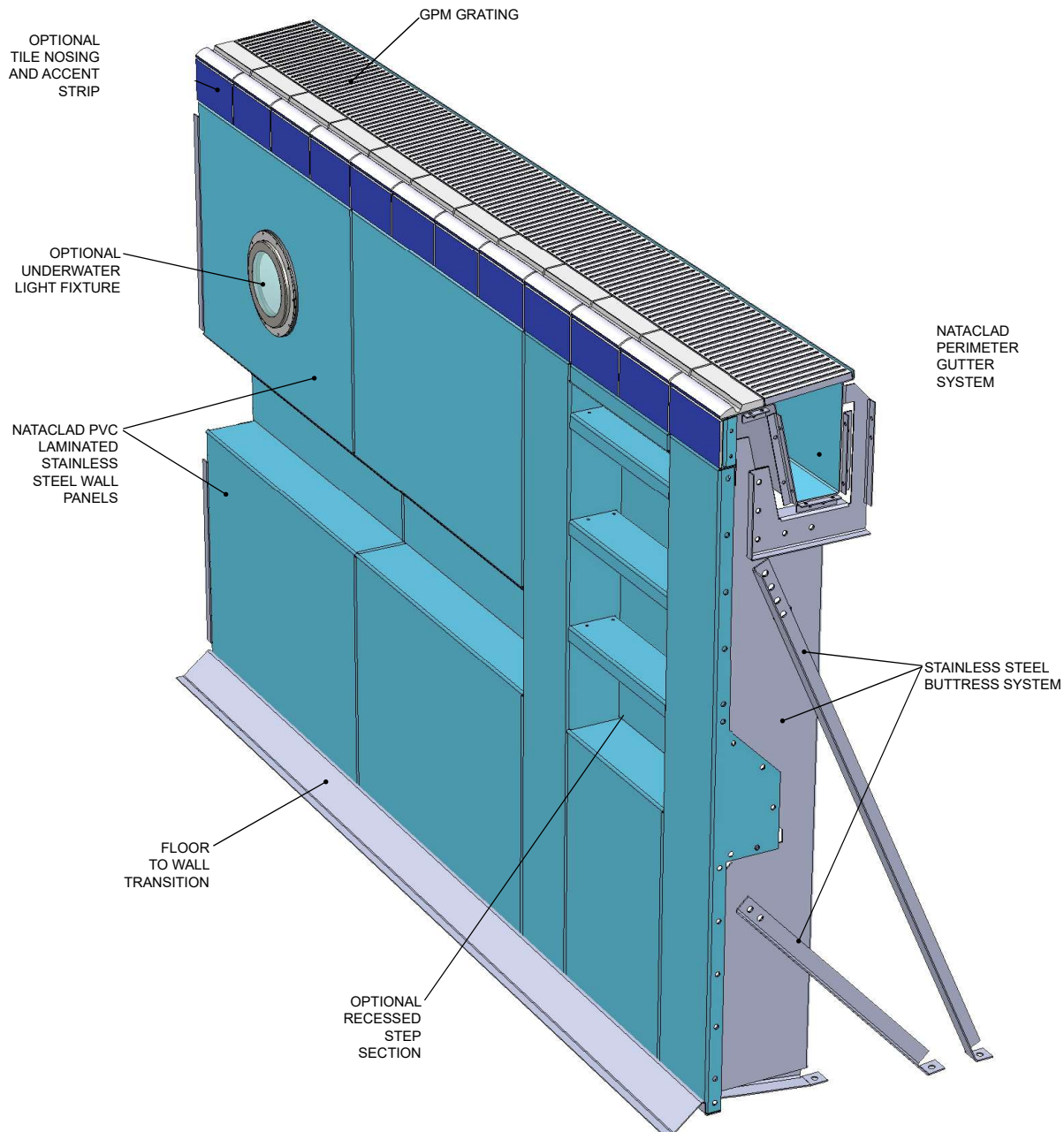
## NataClad System Details and Design Information

Natare SPS panels are quickly bolted together to form the pool perimeter. Once the pool panels are joined and attached to the accompanying buttress systems, the overall pool is stable and self-supporting.

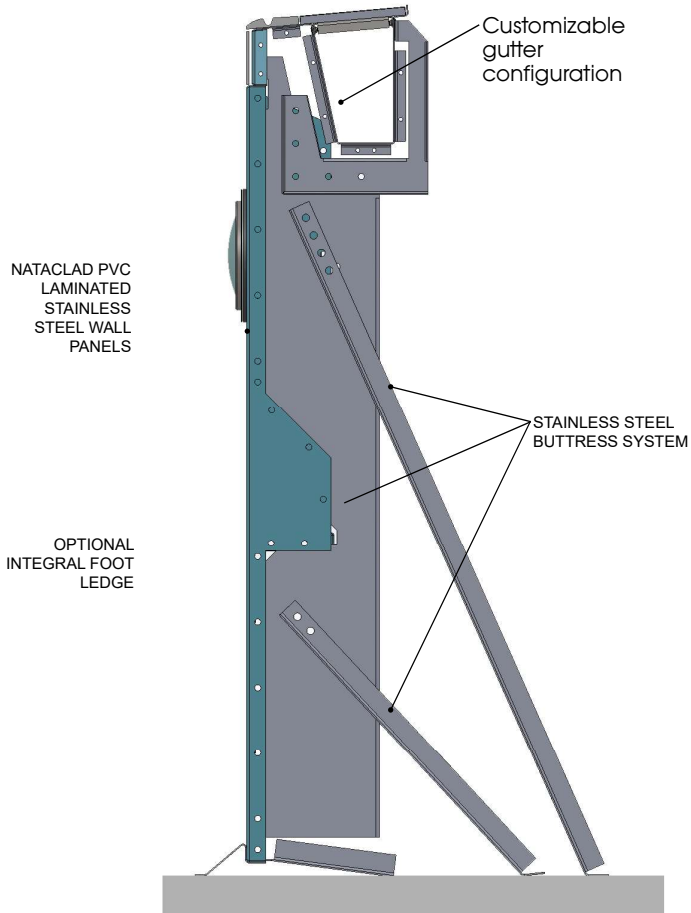
Natare SPS Wall Panels can be installed directly onto a thickened concrete slab or can be mounted to a Natare integral grade beam. When resting on a thickened slab, no further concrete is required.

### Buttress Systems for pool wall and deck support

Fabricated from heavy-gauge type 304/316 stainless steel. Our buttress systems are designed for quick, bolted construction in the field.



Typical NataClad Wall and Gutter Detail



**Typical NataClad Side View**



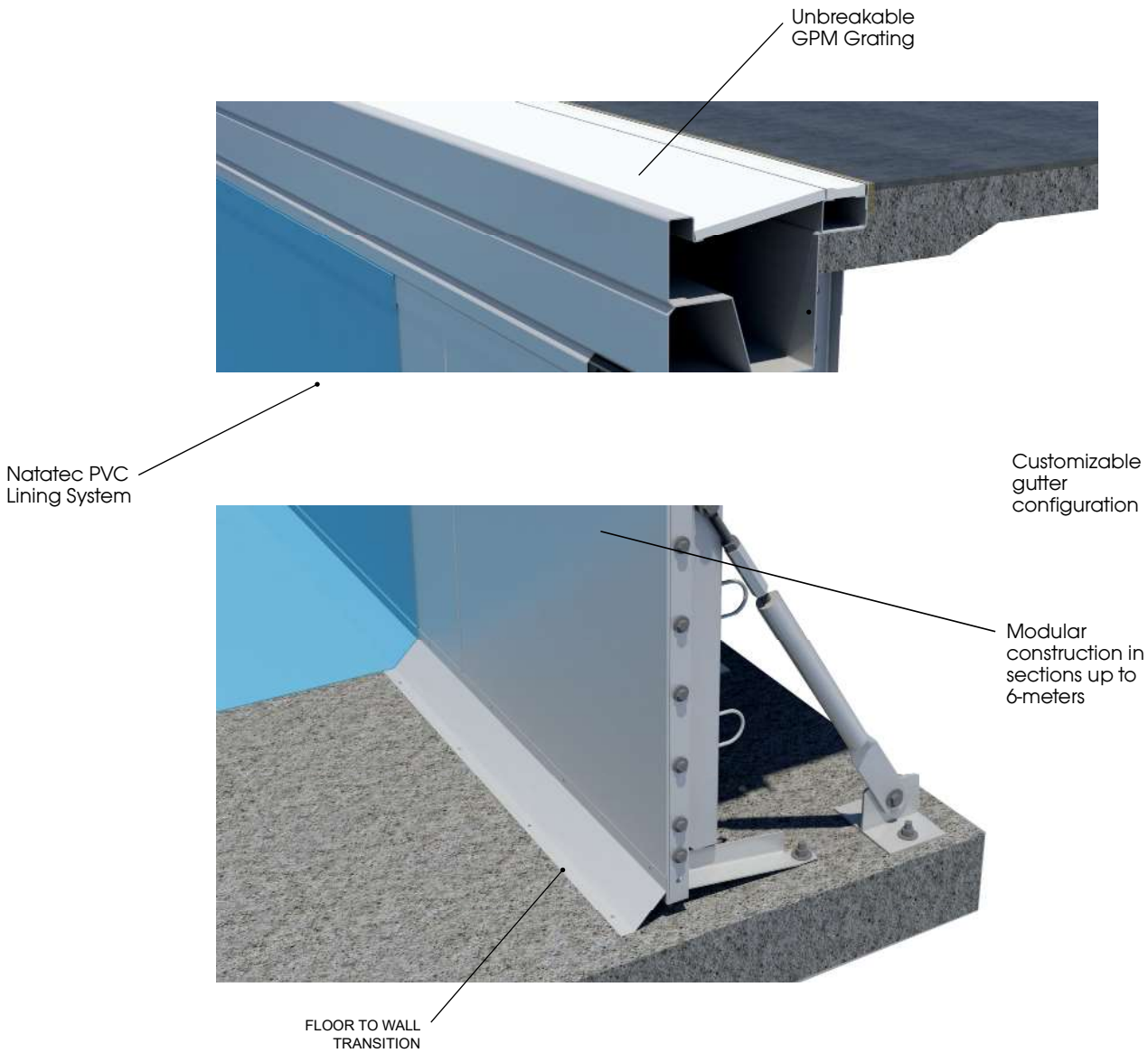




## Natare SPS (Structural Panel System)

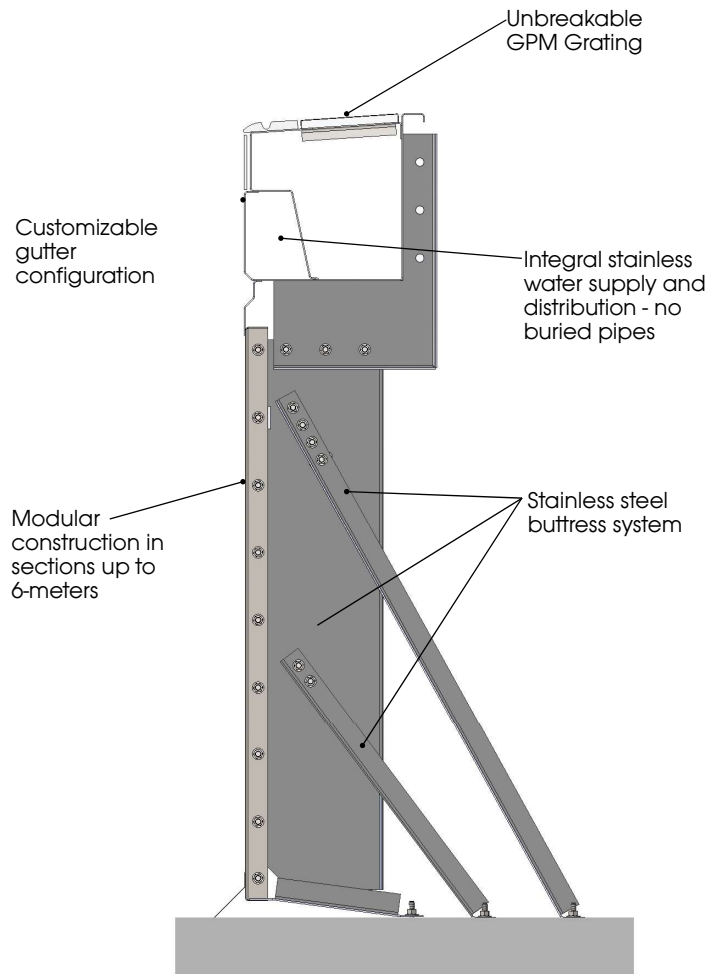
Natare SPS wall panels are quickly bolted together to form the pool perimeter. Once the pool panels are joined and attached to the accompanying buttress systems, the overall pool is stable and self-supporting. Now, the stainless steel gutter sections are ready to be welded into place.

Natare Wall Panel Systems are available in a range of shapes, heights and sizes to meet any pool configuration requirements. Natare AWS or SPS Pool Systems combine with standard perimeter gutter systems and pool surround accessories to provide water depths to 118 in. (3m) as standard and custom engineered to any depth. When used in conjunction with conventional piping systems, Natare wall system panels are precisely machined to accept recirculation fittings, lights, drain openings or any size, shape or configuration of opening.

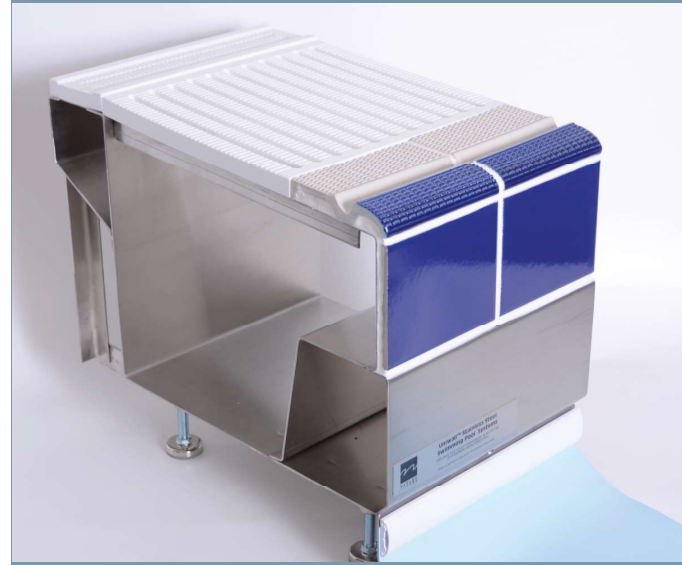


### Typical SPS Wall and Gutter Detail





**Typical SPS Side View**

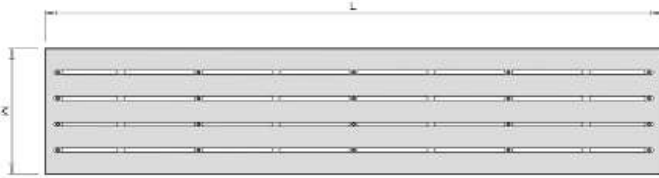




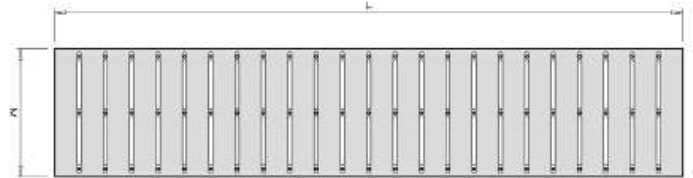
## GPM Grating- Comfort Flow & Competition Flow

(One Piece Grating Sections)

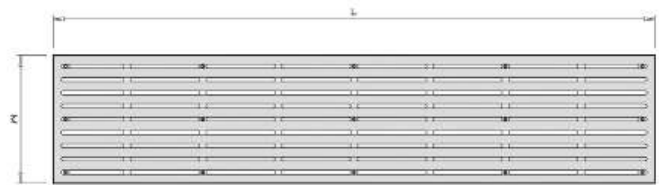
Natare SPS panels are quickly bolted together to form the pool perimeter. Once the pool panels are joined and attached to the accompanying buttress systems, the overall pool is stable and self-supporting. Now, the NataClad or stainless steel gutter sections are ready to be installed.



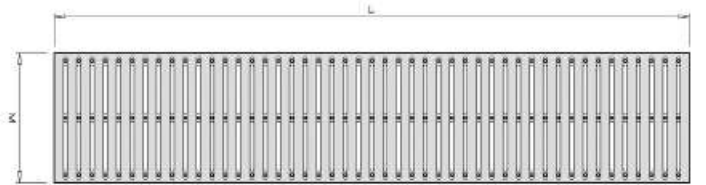
**Straight Section Style #1**  
**Parallel Comfort Flow**



**Straight Section Style #2**  
**Perpendicular Comfort Flow**



**Straight Section Style #3**  
**Parallel Competition Flow**

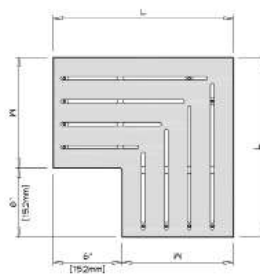


**Straight Section Style #4**  
**Perpendicular Competition Flow**

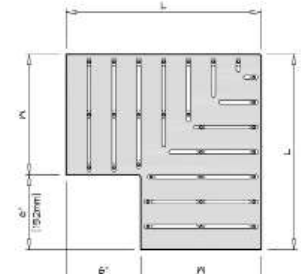
## GPM Grating- Corner Pieces

(One Piece Grating Sections)

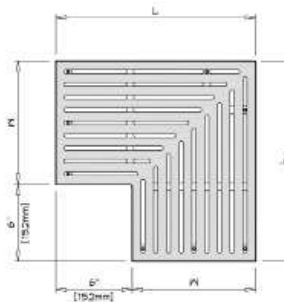
GPM corner grating is a solid one piece that is custom manufactured to match the attached grating and pool surround. Corner pieces are available to match any style and size GPM grating available. Each piece is sold separately in order to create a perfect fit for each corner. Standard sizes are for perfect 90° corners; but we are able to fabricate any size needed.



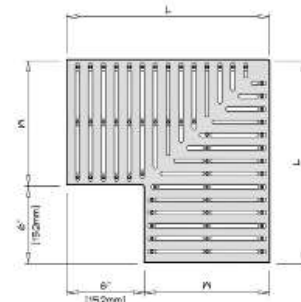
**Corner Section Style #1**  
**Parallel Comfort Flow**



**Corner Section Style #2**  
**Perpendicular Comfort Flow**



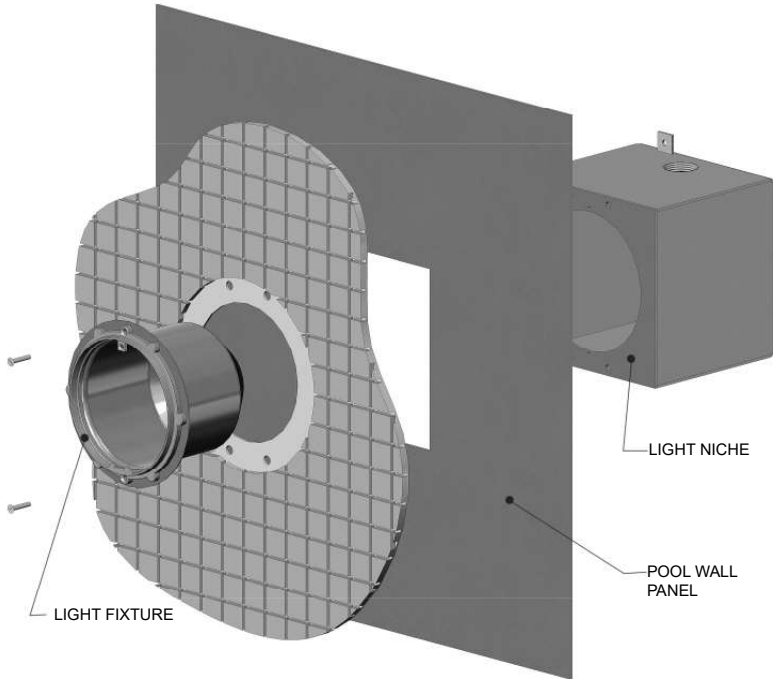
**Corner Section Style #3**  
**Parallel Competition Flow**



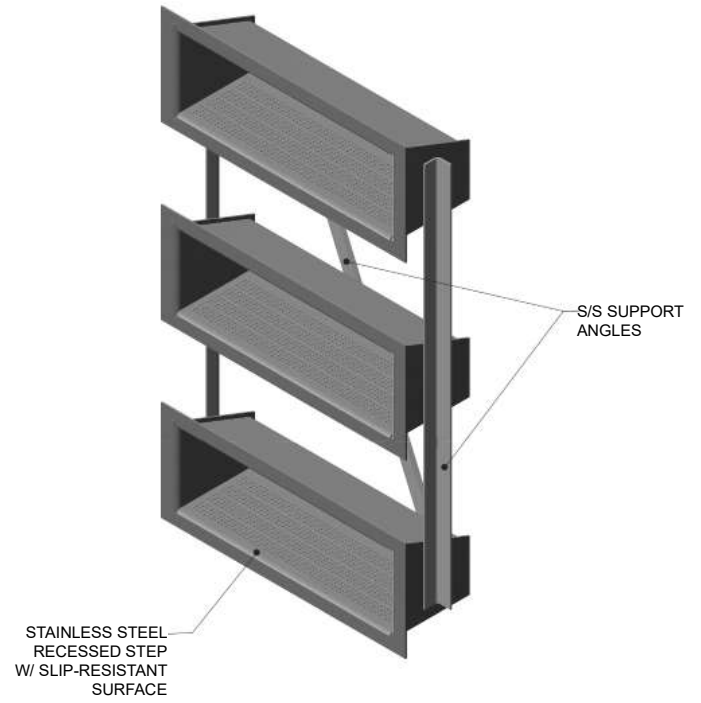
**Corner Section Style #4**  
**Perpendicular Competition Flow**



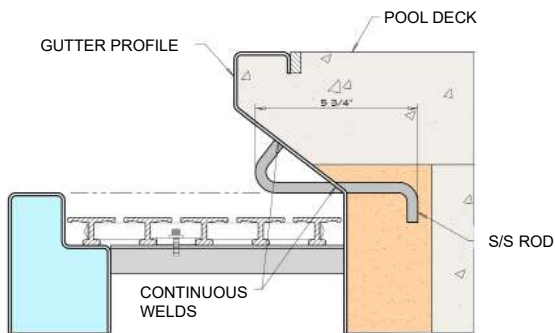
## Optional Accessories



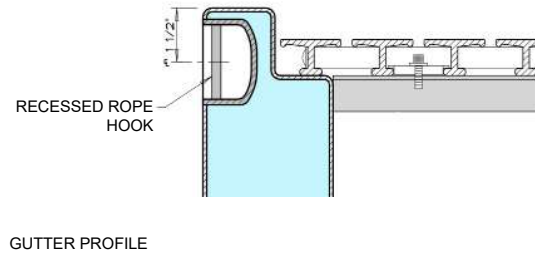
**Light Niche Assembly**



**Recessed Step Assembly**



**Standard Rope Hook**

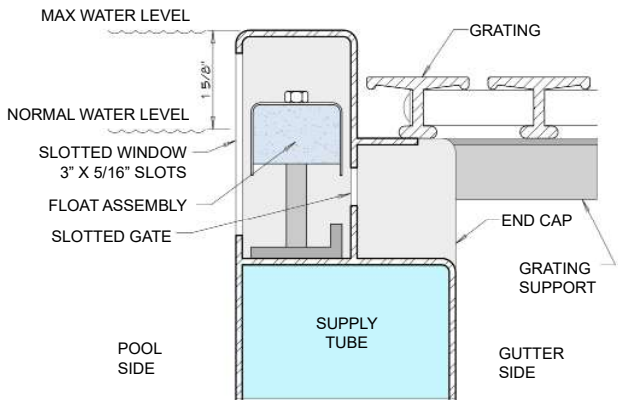
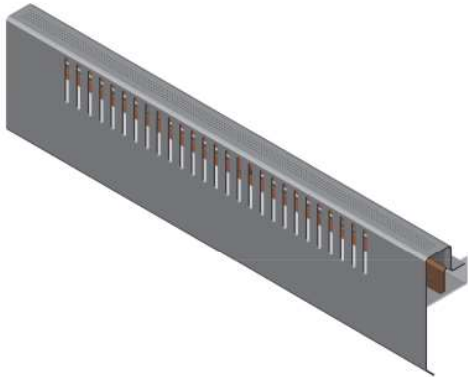


**Recessed Rope Hook**

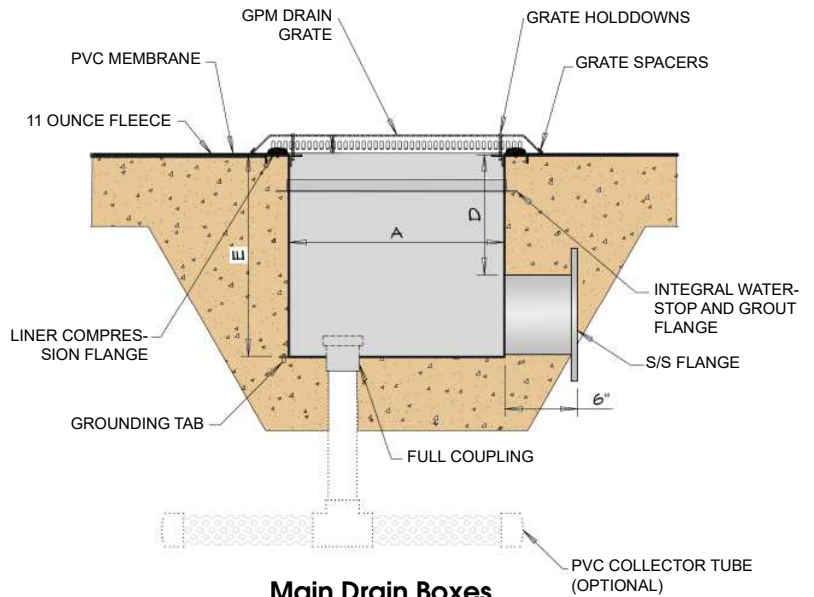




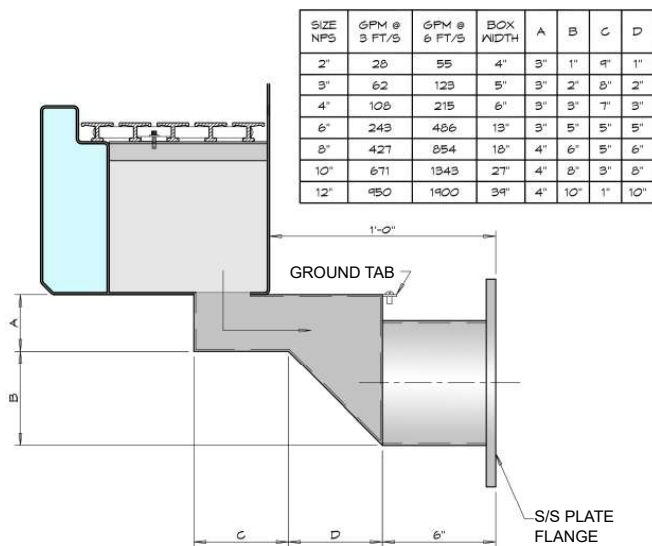
## Optional Accessories (Continued)



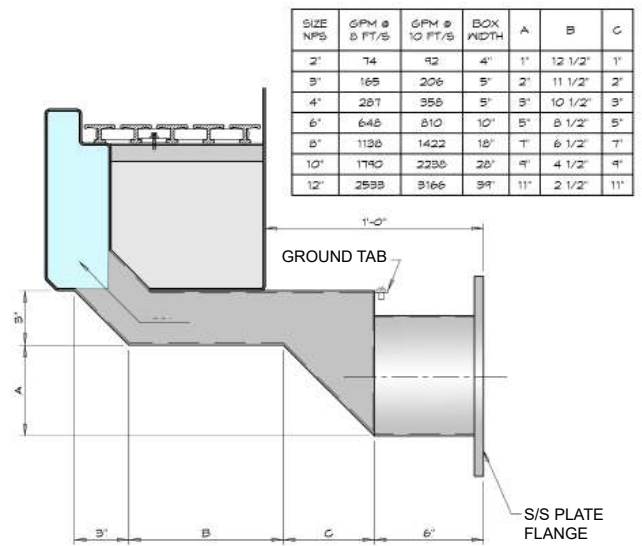
**Automatic Surge Control Assembly (Weir)**



**Main Drain Boxes**



**Gutter Collector Box**



**Supply Converter Box**



## Natare Footing, Slab & Structural Design Requirements

Natare® stainless steel pool construction systems incorporate stainless steel pool wall construction in combination with cast-in-place concrete, gunite (shotcrete), stainless steel or compacted cohesive granular fill floor systems. Natatec® PVC membrane lining systems are generally used with Natare® pools to provide a colorful interior finish and as the waterproofing system used in conjunction with various types of pool bottom or floor systems. A strong, pre-welded structural steel buttress support system provides stable support for the pool wall system. The buttress systems rest upon a structural concrete footing or foundation and floor system that is designed to the specific requirements of each installation.

The following information is a general design guide to standard systems and is intended for use in conjunction with an appropriate review and further design by experienced structural engineers who have knowledge of the particular soil conditions, site requirements and similar constraints that will determine the particular design requirements for a given installation.

This information is for typical conditions only. The design of a Natare® pool buttress system can be tailored to meet specific project requirements.

### Materials:

1. For Natare AWS stainless steel pools, the vertical pool walls are low carbon type 304 stainless steel, generally provided in 12-gauge thickness (.1054 inch-2.68 mm), depending upon the pool design
2. Natare SPS NataClad and polished stainless pools incorporate a 14-gauge thick (.078 in-2.0 mm) and a thick (.030-inch-.76 mm) layer of heat-laminated PVC.
3. Stainless steel pool floors and bottoms are generally low carbon, type 304 stainless steel and vary from 10-gauge to 12-gauge in thickness.
4. Wall support systems are A36 structural steel with a corrosion resistant epoxy coating or galvanized coating or type 304 stainless steel.

### Footings:

1. Footing shall be either continuous cast-in-place concrete. Properly designed, intermittent piers or pads may be used in lieu of continuous footings.
2. Soil must generally be capable of providing 2,500-psi bearing pressure.
3. Perimeter footing drainage should be provided, and the pool system design is typically not intended for an empty pool with significant ground water levels. Hydrostatic pressure resulting from high ground water levels can and will cause structural damage to virtually any type of pool. No pool should be left empty without systems to relieve hydrostatic pressure and to prevent damage from high ground water.
4. Reinforcing steel details are typical, and additional reinforcing may be required. Bar size will vary with footing or slab design.

### Buttress Spacing & Typical Footing or Floor Design Example

| Water Depth            | Footing or concrete floor thickness | Buttress spacing for AWS Pools     | Buttress spacing for SPS Pools     |
|------------------------|-------------------------------------|------------------------------------|------------------------------------|
| 0 – 48" (1,219 mm)     | 24 in (609mm) x 12 in. (304 mm)     | To 60 in. (1,524 mm) O. C. maximum | To 48 in. (1,219 mm) O. C. maximum |
| 49 – 60 in. (1,524 mm) | 24 in (609mm) x 12 in. (304 mm)     | To 48 in. (1,219 mm) O. C. maximum | To 36 in. (914 mm) O.C. maximum    |
| 61 – 84 in.            | 36 in. (914 mm) x 12 in (304 mm)    | To 36 in. (914 mm) O.C. maximum    | To 36 in. (914 mm) O.C. maximum    |

\*Consult Natare for other water/wall depths or configurations. (Not for construction. Example only, design must be reviewed by structural engineer)



## Natare Footing, Slab & Structural Design Requirements

### Concrete Pool Slab:

1. Natare pools are used in conjunction with a cast-in-place concrete slab or concrete slab and integral footing. The design of the concrete slab on which the pool rests is determined by the bearing pressure of the soils and the water depth. Consult a structural engineer before proceeding.
2. Typical concrete thickness for a Natare pool can range from 6-inches for shallow pools in good soil conditions to in excess of 10-inches. Even greater concrete thickness may be required in certain circumstances.
3. Typical concrete construction utilizes 3,500 psi concrete with appropriate reinforcing and shrinkage compensating additives.

### Backfill:

4. Natare pools are designed freestanding and do not require backfill for stability. However, each pool is different and may have varying structural requirements for backfill.
5. Typical Natare® pool design and the Natare buttress systems are intended for pea gravel or similar non-cohesive fill with 37 lb/ft.<sup>3</sup> fluid pressure and 105-lb/ft.<sup>3</sup> in-place density. Such materials require minimal compaction and help to eliminate voids around the buttress system and below the pool deck. Do not mechanically compact backfill, use rollers or allow heavy equipment to operate anywhere near the back of the pool wall or pool edge.
6. Typically, the pool should not be back filled until all pool components are in place and the installation is complete.

### Pool Substrate Construction (typical specification)

The Contractor shall provide a properly prepared sub-base consisting of uniformly graded granular material that is free of debris or organic material. If soil conditions are acceptable, over-excavate the natural soils beneath the pool a minimum of 24-inches. The excavation shall extend a minimum of 3' horizontally beyond all edges of the pool foundation system. The sub-grade shall then be scarified a minimum of 12-inches and densified to a minimum 90% modified proctor density in accordance with ASTM D1557. Place structural fill to within 12" of the bottom of the pool floor utilizing the over excavated material in lifts not exceeding 6". The structural fill shall be brought to within -2% to +4% of the optimum moisture content and then re-compacted as specified above. Place a 12" gravel layer immediately atop the structural fill. The non-cohesive material should be clean gravel or uniformly graded material, iron-free, with a 3/4" maximum size of aggregate. All gravel material shall be compacted to at least 75 percent relative density (ASTM D4253-95 and ASTM D4254-91). Slope all gravel materials in accordance with drawings to the lowest point beneath the pool.

Contractor shall furnish written certification to the swimming pool system installer that the backfill and sub-base are in accordance with the above Specifications.

The sub-base shall be graded to pool dimensions as indicated on the plans. All slopes and transitions shall be formed by the Contractor in accordance with the dimensions as shown on the plans. Slopes shall be formed and maintained through the use of continuous screed boards at any point where the slope exceeds 30°. Screed boards shall be CCA treated lumber and shall be anchored using 1-inch coated rebar driven into sub-base to a minimum of 3'. On steep slopes, concrete piers and formed concrete blocking or pneumatically placed concrete screeds can be used in lieu of screed boards.





## Natare Footing, Slab & Structural Design Requirements

### Backfill (typical specification)

Backfill materials shall be iron-free, clean, uniformly graded non-cohesive granular fill with a  $\frac{3}{4}$ -in maximum aggregate diameter, placed in lifts not to exceed 12-inches and manually-compacted with light weight vibratory compactors to at least 75 percent relative density (ASTM D4253-95 and ASTM D4254-91). Do not use rollers, rams, impact densifiers or allow heavy equipment to operate anywhere near pool walls.

NataClad Ceramic - Porcelain Ceramic Tile for Natare Pools

Natare provides high quality porcelain ceramic tile for the pool edge in a profile known internationally as the Finnish Style, which offers an excellent slip-resistant surface and an integral handhold at the water line that complies with typical health and safety codes and requirements. Natare porcelain tile is also available in a matching vertical pool wall tile. NataClad Ceramic is available in dark blue, light blue and custom colors.

Porcelain is much more heavy-duty, chip resistant, and less prone to cracking than typical ceramic tile, which is ceramic-fired at a lower temperature and is effectively clay with paint on top. Porcelain-fired tile is fired at a very high temperature and often incorporates the same color throughout much like a toilet or white bathroom sink. Ceramic is easily affected by thermal change and its thermal expansion coefficient is higher.

Porcelain ceramic tile is more resistant to acids and alkalis than ceramic tiles and has very low porosity. It is hygienic and sanitary as it does not collect microorganisms, dirt or stains like regular ceramic tile. The glazed surface is highly resistant to staining and the water absorption rate of the Porcelain is under 0.01 % as a result of the high temperature firing. Porcelain tiles are made of more dense raw materials than ceramic. Porcelain has more durability than ceramic and more resistance to scratching, chipping and shocks. Porcelain even defies frost and can be used for indoor or outdoor use, even in freezing climates. It is not affected by thermal change and resists temperature extremes to -40 °C. Thermal expansion coefficient is between 5 to 7% at temperature ranges between 20°C and 100°C.

Ceramic tile installed on a Natare Pool requires 1.25 tiles per linear foot or 4.08 tiles per linear meter of pool perimeter, plus additional allowance for overage, installation fitting, breakage during installation and other unforeseen needs. Typically, an additional quantity of 10-15% is necessary to ensure that adequate tile is on hand to complete the installation.

### Technical Values

#### Sizes:

Pool edge (handhold) tiles: 4.72-in wide x 9.57-in long x 1-in thick (120 mm x 243 mm x 25 mm)

Vertical tiles: 4.72-in wide x 9.57-in long x .25-in thick (120 mm x 243 mm x 6.35 mm)

#### Weight:

2.75 lb/1.247 kg

1.12 lb/.508 kg

\*Due to the nature of tile, all colors, sizes and weights are approximate and may vary slightly from piece to piece



## Sample Statement of Warranty

### Natare® Stainless Steel Elevated Swimming Pool System

NATARE CORPORATION ("Natare") hereby provides to \_\_\_\_\_ ("Owner") the warranties contained herein, or on exhibit on hereto, regarding the Natare® Stainless Steel Elevated Pool System manufactured by Natare and installed at ("project"): \_\_\_\_\_

Natare WARRANTS that the Natare® Stainless Steel Elevated Pool System is comprised of new materials, was constructed in a workmanlike manner, and was constructed in accordance with Natare' drawings, submittals, and technical details.

Natare further WARRANTS that, commencing upon the completion of the installation, the Natare® Stainless Steel In-Elevated System shall be free from defects in materials and workmanship and shall perform in a proper and workmanlike manner under normal use and service for a period of \_\_\_\_ years.

In the event that during the warranty period the Natare® Stainless Steel Elevated Pool System shall fail to perform as stated herein, Natare agrees that it shall, as soon as practical after receipt of written notice from the owner, and at its option, either repair or replace the defective part or parts of the system, or refund to the Owner the portion of the purchase price attributable to the defective part or parts of the system.

Specifically exempted from these warranties are claims arising from: abuse or other conditions exceeding normal use; improper or incorrect operation, or maintenance; or any use of the product other than the particular use for which the product was intended; and structural or earth movements; or acts of God.

The warranty described herein is provided solely with regard to the Natare® Stainless Steel Elevated Pool System purchased from Natare undamaged prior to installation and which has been paid for in full. In no event shall Natare be liable for any consequential damage, loss, or expense arising in connection with the use or inability to use the Natare® Stainless Steel Elevated Pool System for any purpose whatsoever. Goods or equipment not manufactured by Natare are covered only by the standard warranty of the manufacturer, though sold or operated with Natare' goods or equipment.

As to work or labor performed by Natare, Natare represents that such is done in a reasonable and workable manner. Should any repair be required within the warranty period for deficient workmanship by Natare, Natare will undertake the required repair, and such repair or the cost thereof, shall be exclusive entitlement of the owner for any defective workmanship. Any claims against Natare must be made promptly in detail and in writing. All Natare' warranties and other duties with respect to material, equipment, systems, or services furnished by Natare shall be conclusively presumed to have been satisfied one day after the expiration of the warranty period as set forth herein:

In no event shall Natare Corporation be liable for any consequential or other damages whatsoever, direct or indirect, except as expressly agreed to by Natare in writing. There are no other warranties or guaranties, expressed or implied, given by Natare or its agents except those provided herein.



**Natare Corporation**  
5905 West 74th Street  
Indianapolis, IN 46278  
(317) 290-8828

EFFECTIVE DATE OF WARRANTY \_\_\_\_\_

SIGNED BY \_\_\_\_\_



## Sample Statement of Warranty

Natare® Stainless Steel Swimming Pool Systems

NATARE CORPORATION ("Natare") hereby provides to \_\_\_\_\_ ("Owner") the warranties contained herein, or on exhibit on hereto, regarding the Natare® Stainless Steel Pool System manufactured by Natare and installed at ("project"): \_\_\_\_\_

Natare WARRANTS that the Natare® Stainless Steel Pool System is comprised of new materials, was constructed in a workmanlike manner, and was constructed in accordance with Natare' drawings, submittals, and technical details.

Natare further WARRANTS that, commencing upon the completion of the installation, the Natare® Stainless Steel In-Ground Pool System shall be free from defects in materials and workmanship and shall perform in a proper and workmanlike manner under normal use and service for a period of 10 years.

In the event that during the warranty period the Natare® Stainless Steel Pool System shall fail to perform as stated herein, Natare agrees that it shall, as soon as practical after receipt of written notice from the owner, and at its option, either repair or replace the defective part or parts of the system, or refund to the Owner the portion of the purchase price attributable to the defective part or parts of the system.

Specifically exempted from these warranties are claims arising from: abuse or other conditions exceeding normal use; improper or incorrect operation, or maintenance; or any use of the product other than the particular use for which the product was intended; and structural or earth movements; or acts of God.

The warranty described herein is provided solely with regard to the Natare® Stainless Steel Pool System purchased from Natare undamaged prior to installation and which has been paid for in full. In no event shall Natare be liable for any consequential damage, loss, or expense arising in connection with the use or inability to use the Natare® Stainless Steel Pool System for any purpose whatsoever. Goods or equipment not manufactured by Natare are covered only by the standard warranty of the manufacturer, though sold or operated with Natare' goods or equipment.

As to work or labor performed by Natare, Natare represents that such is done in a reasonable and workable manner. Should any repair be required within the warranty period for deficient workmanship by Natare, Natare will undertake the required repair, and such repair or the cost thereof, shall be exclusive entitlement of the owner for any defective workmanship. Any claims against Natare must be made promptly in detail and in writing. All Natare' warranties and other duties with respect to material, equipment, systems, or services furnished by Natare shall be conclusively presumed to have been satisfied one day after the expiration of the warranty period as set forth herein:

In no event shall Natare Corporation be liable for any consequential or other damages whatsoever, direct or indirect, except as expressly agreed to by Natare in writing. There are no other warranties or guaranties, expressed or implied, given by Natare or its agents except those provided herein.

Natare Corporation  
5905 West 74th Street  
Indianapolis, IN 46278  
(317) 290-8828

EFFECTIVE DATE OF WARRANTY \_\_\_\_\_

SIGNED BY \_\_\_\_\_



Get Crystal Clear Water with a  
Natare MicroFlo® Vacuum Sand Filter!



**Natare Corporation**

5905 West 74th Street | Indianapolis, IN 46278 | USA  
(800) 336-8828 | (317) 290-8828 | FAX (317) 290-9998  
**[www.natare.com](http://www.natare.com) • [natare@natare.com](mailto:natare@natare.com)**

*The information in this document is proprietary, confidential and is the exclusive property of Natare Corporation. These materials are not considered published and are provided for the exclusive use of the intended recipient for the intended use in conjunction with equipment, systems or services provided by Natare, and they may be copied or distributed to third parties for that purpose. Natare, the stylized N, NataClad, and Natatec are trademarks of the Natare Corporation. © Copyright 1997-2017 Natare Corporation. All rights reserved.*

v44770